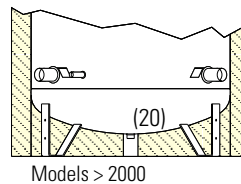
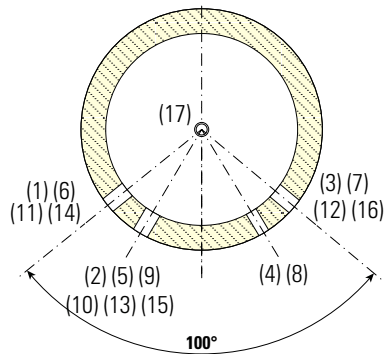


1-3-6-7	Heating return/To Generator
2-5	Connection for instrumentation 1/2" Gas F
4	Fixed lower heat exchanger outlet
8	Fixed lower heat exchanger inlet
9	Electrical immersion resistance
10	Connection for instrumentation 1/2" Gas F
11-12-14-16	Heating delivery/From Generator
13	Connection for instrumentation 1/2" Gas F
15	Connection for instrumentation 1/2" Gas F
17	Heating delivery
20	Drain (only for models 3000 - 5000)



Model	Net volume	Df	De	H	A	H2	H3	H4	H5	H6	H7	H8	H9	H11	H12	1-3-6-7-9-11-12-14-16-17	4-8	20
	[lt]	[mm]																
300	272	550	750	1340	1383	232	217	444	514	514	590	725	796	885	1078	1" 1/2	1"	-
500	473	650	850	1620	1665	247	260	533	629	745	841	930	1011	1231	1343	1" 1/2	1"	-
600	546	650	850	1870	1915	247	260	582	695	855	915	1060	1144	1382	1593	1" 1/2	1"	-
800B	700	790	990	1658	1700	265	278	584	630	679	823	938	995	1180	1371	1" 1/2	1"	-
800	789	790	990	1840	1895	265	278	584	690	762	823	988	1115	1332	1541	1" 1/2	1"	-
1000	926	790	990	2130	2180	265	284	656	787	953	998	1188	1309	1588	1831	1" 1/2	1"	-
1500	1409	950	1150	2250	2315	313	336	736	845	1006	1061	1286	1377	1653	1909	1" 1/2	1"	-
2000	1942	1100	1300	2320	2400	347	370	770	879	1001	1060	1300	1411	1687	1943	1" 1/2	1"	-
3000	2860	1250	1450	2814	2860	556	569	1017	1071	1551	1693	1879	1786	2140	2402	2"	1"1/4	1"
5000	4920	1600	1800	2929	2986	586	609	1047	1101	1522	1691	1889	1816	2159	2432	2"	1"1/4	2"